

TRI-150R Adjustable Tripod

Product Overview

The TDK RF Solutions TRI-150R tripod is designed specifically for mounting antennas and video cameras in EMC test environments. The tripod is constructed of durable, non-conductive, commercial grade fiberglass and plastic that provide the necessary stability while allowing for portability.

The tripod mast easily adjusts from 100 cm to 150 cm in height, and supports equipment up to 45 kg. The sturdy, fixed-length fiberglass legs feature adjustable foot pads to accommodate uneven floor surfaces. The legs fold inward for storage or transportation between test sites.

The tripod also features an integrated level to allow quick and accurate positioning.

The TRI-150R is available with a variety of antenna and video camera mount adapters to meet your requirements.

Application

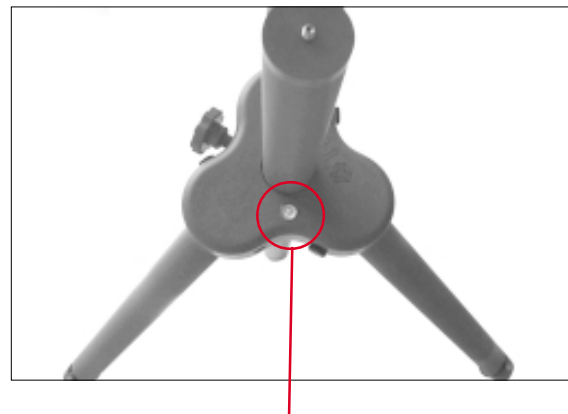
- Antenna or video camera mounting

Features

- 1/4 - 20 screw mount adapter (standard)
- Supports up to 45 kg (100 lbs.)
- Integrated level for accurate positioning
- Custom antenna mount adapters available
- Custom video camera mount adapters available



The TDK RF Solutions TRI-150R Tripod is specifically designed for EMC test environments and can support up to 45 kg.



The TDK TRI-150R's built-in level and independently adjustable feet simplify positioning on uneven surfaces.

TRI-150R Adjustable Tripod

Mechanical Specifications

Dimensions:	
Extended Height:	150 cm (59 in.)
Collapsed Height:	100 cm (39.4 in.)
Base Diameter:	100 cm (39.4 in.)
Weight:	11 kg (24 lbs.)
Construction:	Fiberglass and plastic
Finish:	Preventive water absorption seal

Ordering Information

Product:	Tripod
Model Number:	TRI-150R
Warranty:	1 year

To place an order or to learn more about the TDK RF Solutions products that best meet your needs, contact your TDK sales representative:

TDK RF Solutions Inc.

1101 Cypress Creek Rd.
Cedar Park, Texas 78613 USA
Phone: +1 (512) 258-9478
Fax: +1 (512) 258-0740
E-mail: info@tdkrf.com
World Wide Web: www.tdkrfsolutions.com

TDK Electronics Europe GmbH.

Wanheimer Str. 57
40472 Düsseldorf, Germany
Phone: +49 (211) 9077-139
Fax: +49 (211) 9077-294

TOTAL RF EXPERTISE™



www.tdkrfsolutions.com

To learn more about TDK RF Solutions' wide range of innovative products and services visit www.tdkrfsolutions.com

© Copyright 2001–2002 TDK RF Solutions Inc. All rights reserved. Specifications subject to change without notice.

DSTRI150R041902