



MAIN FEATURES

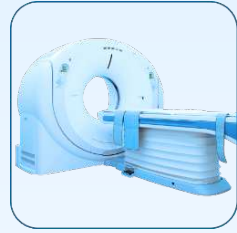
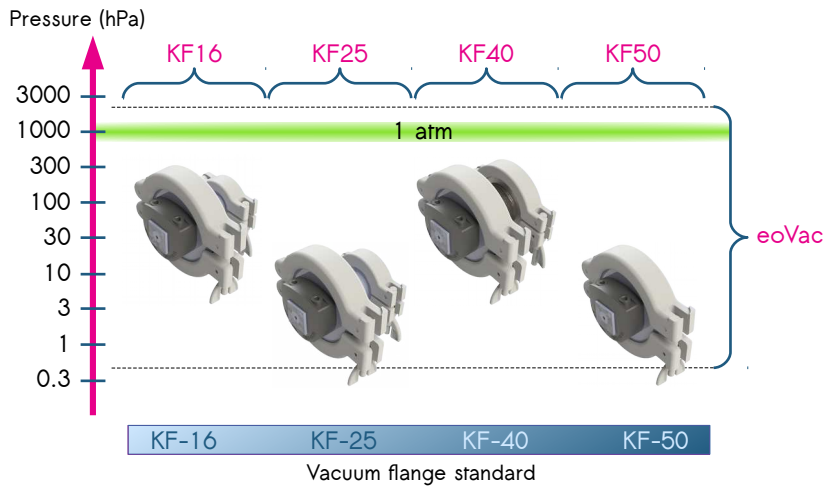
- Removable vacuum feed-through
- No additional insertion loss
- Easy to operate
- Made of stainless steel 304, black polypropylene and elastomer
- Low cost in comparison with conventional optical feed-through
- Intended for use with air and bio lines E-field probes eoProbe™

TYPICAL APPLICATIONS

- | | |
|---|---|
| <ul style="list-style-type: none"> • Plasma characterization • Field mapping of high voltage devices • EMC malfunction diagnosis • EMP measurement • Electron beam welding | <ul style="list-style-type: none"> • Health • Science • Defence • Aerospace • Telecommunications |
|---|---|

PRODUCTS LINE

4 models



Your key partner for electromagnetism
in harsh environment

PERFORMANCE SPECIFICATIONS

	Min	Typical	Max	Unit
Withstand vacuum ¹		0.5	1	hPa
Elastomer seal durability	20			mating
Additional insertion loss		< 0.1	0.2	dB

¹ Steady state pressure through continuous pumping

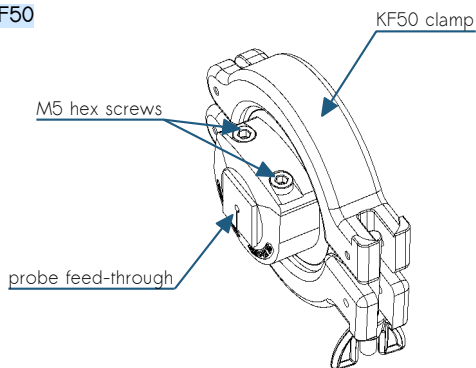
MECHANICAL SPECIFICATIONS

	Min	Typical	Max	Unit
Dimensions	feed-through KF-50 flange diameter	75		
	overall width	114		
	overall height	92		mm
	KF50 depth	40		
	KF40 KF25 KF16 depth	81		
Overall weight	KF50	380	400	420
	KF40	690	710	730
	KF25	670	690	710
	KF16	660	680	700
Ingress Protection rating ²		IP68		

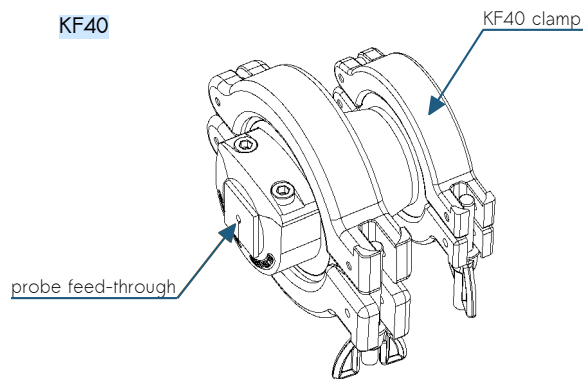
² Max. 4h in a row in pure water and 1h in salty water

VACUUM FEED-THROUGH - Drawings at scale

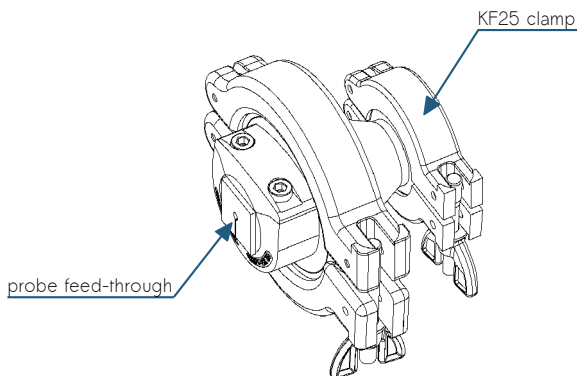
KF50



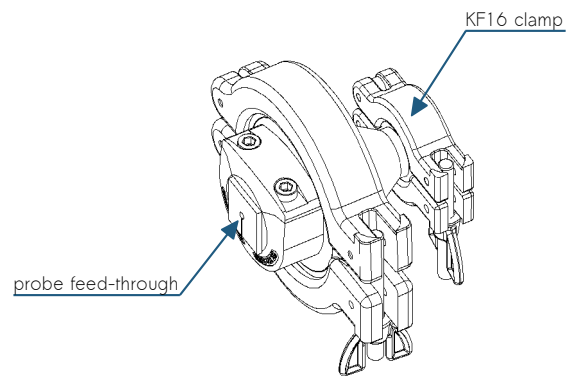
KF40



KF25



KF16



ENVIRONMENTAL SPECIFICATIONS

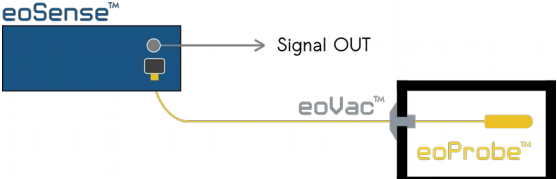
		Min	Typical	Max	Unit
Temperature	operating ³	10		50	°C
	storage	10		40	
Pressure	operating ³	1		2 000	hPa
	storage	690		1 075	
Relative humidity	non-condensing			90	%
Storage	only in its original case in a clean, dry environment				
Feed-through cleaning	use cloth lightly moistened with isopropyl alcohol				

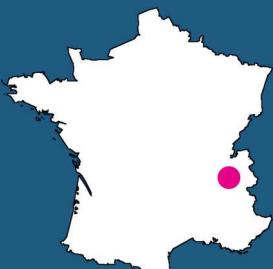
³ Max. 8h per day in case operating conditions are harsher than storage conditions

PACKAGING INFORMATION

	Line	Contents
eoVac™ KF-50 flange	All	Delivered with a routine test report
Transport case (up to 3 probes)	All	Cardboard with protective foam (W x D x H = 185 x 165 x 105 mm - Weight: 170 g)
Other parts	All	3 elastomer seals, 1 KF50 O ring, 1 KF50 clamp, 1 3-mm hex key
	KF16	1 KF16 O ring, 1 KF16 clamp, 1 conical KF50 to KF16 vacuum fitting
	KF25	1 KF25 O ring, 1 KF25 clamp, 1 conical KF50 to KF25 vacuum fitting
	KF40	1 KF40 O ring, 1 KF40 clamp, 1 conical KF50 to KF40 vacuum fitting
User guide	cf. eoSystem User Guide PDF file GU-eoSystem	

COMPATIBLE DEVICES & ACCESSORIES

	Device-related data sheet	Use	Outline schematic
E-field probe eoProbe™	FT20-eoProbe-05.pdf	Required setup to use air bio probe line for measurements down to 1 hPa	



Kapteos SAS
Bâtiment Cleanspace
354 voie Magellan
73800 Sainte-Hélène du Lac
FRANCE

Email: contact@kapteos.com
+33 (0)4 79 62 88 34

Follow us on



www.kapteos.com