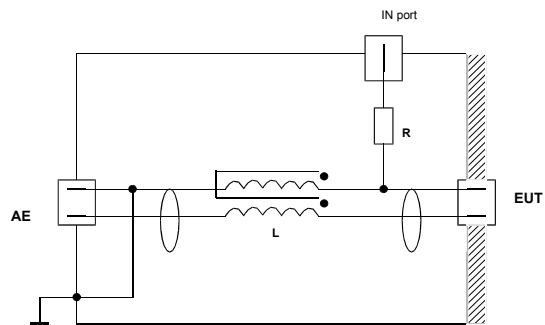


CDN RJ11-S for 6 shielded lines

Coupling / decoupling networks (CDN) for immunity tests acc. to EN 61000-4-6 / IEC 1000-4-6



Typical circuit diagram (only 1 line shown)

- **Order Number: RJ11-S**
- **50Ω-termination included**

Technical data:		
EUT / AE Connection	AC voltage:	250V _{eff}
	DC voltage:	400V
	Rated current:	0.5A _{eff}
RF in	Connector (EUT/ AE):	RJ11/ RJ11
	Frequency-range:	150kHz - 230MHz
	Connector:	BNC, 50Ω
Common-mode impedance	150kHz - 26MHz:	130 - 170Ω
	26MHz - 230MHz:	105 - 210Ω
Insertion loss Generator / EUT	150kHz - 230MHz:	a = 10dB ± 1dB
		a = 10dB ± 2dB
Decoupling attenuation Generator / AE	150kHz - 80MHz:	a > 55dB
	80MHz - 230MHz:	a > 35dB
Transmission loss EUT/AE (50Ω-System)	DC - 10MHz:	a < 0.3dB
	10MHz - 100MHz:	a < 3dB
	100MHz - 500MHz:	a < 10dB